

WIN  CARE

Lambda/175

Shower trolley

User instruction

Important information

Please read this user manual carefully before using the product!

This user manual is intended as a guide for caregivers and other users, as well as technical personnel during servicing and maintenance of the product.

Date: 23-02-2022
Version 16



Scan the QR code for more information

CONTENTS

| | | |
|----------|--|-----------|
| 1 | Aim and use | 4 |
| 1.1 | Purpose | 4 |
| 1.2 | Safety instructions..... | 4 |
| 1.3 | Terminology | 4 |
| 2 | Technical functions | 5 |
| 2.1 | Functions..... | 5 |
| 2.2 | Safety functions..... | 6 |
| 2.3 | Charging | 6 |
| 3 | Use | 7 |
| 3.1 | Using the shower trolley | 7 |
| 4 | Maintenance and check | 9 |
| 4.1 | Cleaning | 9 |
| 4.2 | Maintenance | 9 |
| 4.3 | Annual check..... | 9 |
| 5 | Technical data and dimensions | 10 |
| 5.1 | Technical specifications..... | 10 |
| 5.2 | Dimensions | 10 |
| 6 | Environment and quality | 11 |
| 6.1 | Disposal..... | 11 |
| 6.2 | Battery | 11 |
| 6.3 | Quality..... | 11 |

1 Aim and use

1.1 Purpose

The shower trolley is used to assist patients requiring a reclined/lying position during the washing/showering situation. During use there must be at least one person present who has received instruction in use of the shower trolley.

1.2 Safety instructions



Important – warning!

This user instruction must be read thoroughly before the shower trolley taking in use.

- There must be no indication of wear on the shower trolley.
- The shower trolley must not be loaded over 175kg including water.

1.3 Terminology

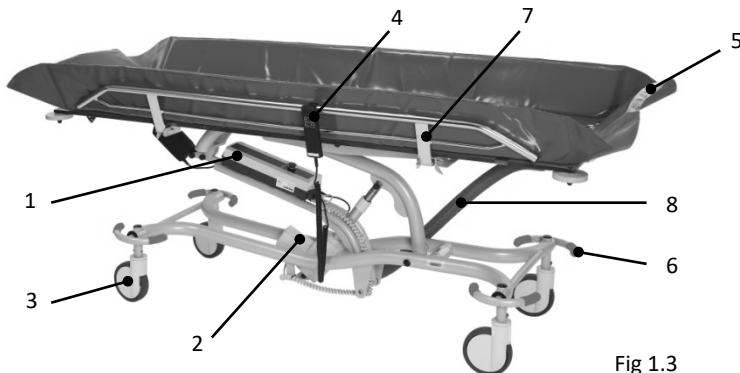


Fig 1.3

1. Control box
2. Motor
3. Wheels
4. Hand control
5. Adjustable and lockable end rails
6. Central braking and directional guide
7. Up and down release of side rails
8. Outlet hose

2 Technical functions

2.1 Functions

The shower trolley is easy to operate. However, before use, please read the following instructions carefully:

1. The hand control (Fig. 2.1) enables easy handling.
 - Press on the top buttons "up" or "down" and the shower trolley going up or down.
 - Press on the lower buttons and the shower trolley will "tilt".

Warning! Be careful using the tilt function since there is a risk that the patient may slip down the shower trolley.

Note: The side rail **MUST** be up and locked to ensure that the patient safety during operation.

2. The shower trolley is emptied via outlet hose (Fig. 2.1a) to drain and then remove the plug. (Fig 2.1b) Tilt the shower trolley to remove the water. (Fig 2.1c)



Fig 2.1



Fig 2.1a



Fig 2.1b



Fig 2.1c

2.2 Safety functions

Emergency stop:

This function is only to be used in an emergency e.g. if the shower trolley does not react or does not stop after releasing the hand control operation. If the emergency button has been activated all functions immediately stops. (Fig 2.2a)



Fig 2.2a

The emergency button is not a contact to switch on/off. It always has to be "on", meaning it must not be pressed in. The emergency button can be released by turning the button a ¼ turn to the right.

Emergency lowering:

The shower trolley is equipped with an emergency lowering system. (Fig 2.2b) The emergency lowering system is used if it is necessary to safely lower a patient. The emergency lowering button is placed immediately under the emergency button. The emergency lowering button is activated using a pointed instrument e.g. a ballpoint pen.



Fig 2.2b

Lowering button

In any doubt, please contact Winncare Nordic ApS.

2.3 Charging

The shower trolley is equipped with rechargeable lead acid batteries that require regular charging. Winncare Nordic recommends, that the batteries are charged when the shower trolley is not in use or every night. The shower trolley can be charged from the wall socket. (Fig 2.3a+b+c) or alternatively using a wall/table external charge unit (accessories) (Fig 2.3d+2.3e).



Fig 2.3a



Fig 2.3b



Fig 2.3c



Fig 2.3d



Fig 2.3e

3 Use

3.1 Using the shower trolley

Brakes:

The shower trolley has central braking, direction guides and neutral position.

Using these functions:

In a horizontal position (fig. 1) the shower trolley is unlocked, and all wheels can move freely.

Pressing the directional guide pedal (fig. 2) ensures that the wheels are locked in a straight travel direction (applies only to the head end).

Pressing the brake pedal (fig. 3) will lock all the wheels.



Fig 1



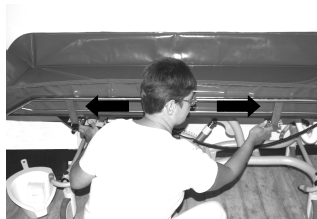
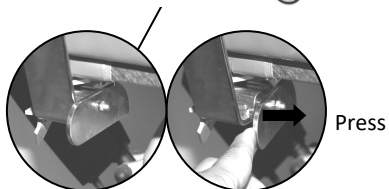
Fig 2



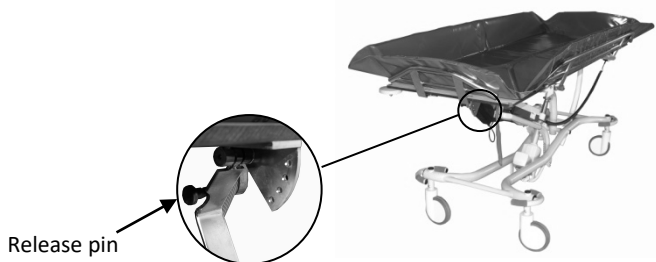
Fig 3

Side rails and end rail:

The side rails have two positions “up” or “down”. The end rails have 4 different positions.



Press the holding bracket on both sides at the same time to release the side rail.



Pull the release pin on both sides and the end rails can be lowered or angled in 4 different positions.

4 Maintenance and check

4.1 Cleaning

The shower trolley may be cleaned using soap and water. Low power disinfectants may also be used.

4.2 Maintenance

The shower trolley must always be maintained by qualified and authorized personnel who have been approved by Winncare Nordic.

4.3 Annual check

Winncare Nordic recommends, the Lambda has an annual service/check. It is the owner's responsibility to ensure that the annual check is performed.

If necessary, to replace any parts due to wear or damage, must the parts be obtained/purchased from Winncare Nordic.



Warning! Unauthorized modification of the Lambda shower trolley is not allowed and could result in a fatal accident.

5 Technical data and dimensions

5.1 Technical specifications

Lifting properties:

Load capacity (SWL): 175 kg
Lifting interval: 56-103cm

Electrical details:

Power supply: 24V ---
IP class IP65

Material:

Powder coated stainless steel

Weight:

Weight in total: 115 kg



5.2 Dimensions

| | |
|---|-----------------------|
| Width over side rails | 78cm |
| Length over side rails | 206cm |
| Length/width of chassis | 187/60cm |
| Sideways movement during up/down travel | 45 cm in top position |
| Anti-Trendelenburg angle | 10° |
| Wheels | ø150mm |

More test results may be available by contacting Winncare Nordic.

6 Environment and quality

Lambda has an expected lifetime of minimum 10 years under the assumption that all recommended service checks have been carried out and that the normal maintenance and care instructions have been followed.

6.1 Disposal

Disposal of this shower trolley can be made through Winncare Nordic. After useful lifetime Winncare Nordic will receive the trolley back and split the individual parts in an environmentally friendly way either through reuse or recycling.

Parts that contain halogens, aluminum, lead acid batteries, electrical component, ABS plastic, steel may damage the environment if not handled in an environmentally responsible way.

6.2 Battery

The shower trolley is equipped with batteries, which may be returned either to the local recycling station or to Winncare Nordic at the end of their lifetime.

6.3 Quality

Winncare Nordic is certified according to the quality standard ISO 9001:2015 and ISO 13485:2016.

These certifications mean that the products and the company complies with the international standards for quality management, environmental management and standards for traceability of medical products.

Lambda is classified as a Medical device class 1 product.

Manufacturer:

WinnCare Nordic ApS
Taarnborgvej 12 C
4220 Korsøer
Denmark

Phone: + 45 70 27 37 20
Fax: + 45 70 27 37 19
Email: info@winnCare.dk
www.winnCare.dk

(EU) 2017/745 CLASS I
EN/ISO 10535:2007
IEC 60601-1-2:2015



UM-910-00753UK