



# Helios/150

## Mobile hoist

## User manual

### Important information

Please read this user manual carefully before using the product!

This user manual is intended as a guide for caregivers and other users, as well as technical personnel during servicing and maintenance of the product.

Date: 22-05-2019

Ver: 5



*Scan the QR code for more information*



# CONTENTS

<b>1</b>	<b>AIM AND USE</b>	<b>4</b>
1.1	Purpose	4
1.2	Safety instructions	4
1.3	Before use	5
1.4	Terminology	5
1.5	Unpacking	7
1.6	Assembly instruction	7
1.7	Spreader bar and lifting slings	9
<b>2</b>	<b>FUNCTIONS</b>	<b>10</b>
2.1	Pictograms and functions – Control-box	10
2.2	Pictograms and functions – Hand control	11
2.3	Safety functions	12
2.4	Charging	12
2.5	Transport	13
<b>3</b>	<b>MAINTENANCE</b>	<b>14</b>
3.1	Cleaning	14
3.2	Storage	14
<b>4</b>	<b>CHECK AND TROUBLESHOOTING</b>	<b>14</b>
4.1	Annual check	14
4.2	Troubleshooting	15
<b>5</b>	<b>TECHNICAL SPECIFICATIONS AND DIMENSIONS</b>	<b>16</b>
5.1	Technical specifications	16
5.2	Dimensions	17
<b>6</b>	<b>ENVIROMENT AND QUALITY</b>	<b>18</b>
6.1	Disposal	18
6.2	Quality	18
6.3	Symbols and abbreviations	19

# 1 AIM AND USE

Helios/150 is available with manual leg spreading and electric leg spreading.

Description of the hoist applies to both models.

## 1.1 Purpose

Helios/150 is a mobile hoist designed to transfer persons in institutions such as nursing homes, hospitals, care centres and in homecare. Helios/150 can be used for transfer between bed and chair/wheelchair, from chair to another chair and from chair to a toilet.

Helios/150 is approved to transfer with a maximum load of 150 kg.

### The use of the Helios/150 requires the following instructions:

- Personnel have received qualified instruction in using the mobile hoist.
- The mobile hoist has been assembled correctly and according to the user instruction.
- NEVER use the mobile hoist for other purposes than described in this user instruction.
- Persons, who are transferred, must not be squeezed or trapped in the lifting situation.
- The mobile hoist has been developed for use with Winncare Nordic lifting slings and other sling products authorized by Winncare Nordic. See Winncare Nordic's user instruction for slings for specific information about which models can be used.
- The mobile hoist is intended for indoor use under normal temperatures (+2 to +40 C°) and relative humidity (40-90%).

## 1.2 Safety instructions



### Important – Warning!

***This user instruction must be read thoroughly before the mobile hoist is taken into use.***

- All parts must be mounted correctly according to this user instruction.
- There must be no indication of wear and tear on the mobile hoist or the lifting sling.
- NEVER begin lifting if there is suspicion of any defect (abnormal sound, loose brackets etc.). In such cases, it is important to find the cause of the problem and take the mobile hoist out of service and contact your dealer or Winncare Nordic.
- The lifting capacity is 150 kg and must NEVER be exceeded. When using the mobile hoist in connection with other components e.g. slings it is always the component with the LOWEST weight capacity that decides the maximum lifting capacity.
- Ensure that neither carers/helpers nor patients/users can be hurt during the lifting.
- Never lift higher than necessary in the actual lifting situation.
- See section 4.1 (annual check) for further information.

## 1.3 Before use

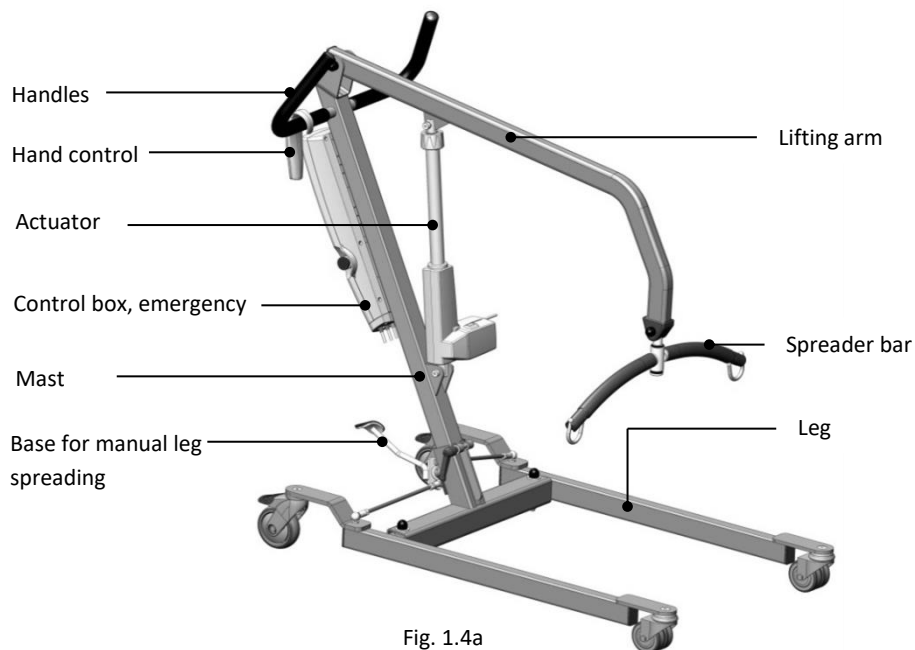
The carer/helper is responsible for ensuring that a check is carried out BEFORE the mobile hoist and accessories are used, including the following:

**The following items are checked before use:**

- Check that the mobile hoist is complete, and no parts are missing.
- Check that there are no signs of rust, wear and tear or other defects. If there is any sign of a defect the mobile hoist must be taken out of use.
- Check the key functions, up/down and the leg adjustment are working on both the control box and the hand control. If the checks or the use of the hoist generate unusual noises, then the hoist must not be used before a qualified technician has carried out a safety check on the hoist.
- Check the lifting slings for any damages especially as regards to the lifting straps for tears in the material. The slings must not be used if defects are detected.
- If in any doubt concerning the use of mobile hoist or lifting slings, contact Winnicare Nordic for advice and guidance.

## 1.4 Terminology

**Hoist with manual leg spreading (Fig 1.4a)**



**Hoist with electric leg spreading (Fig 1.4b)**

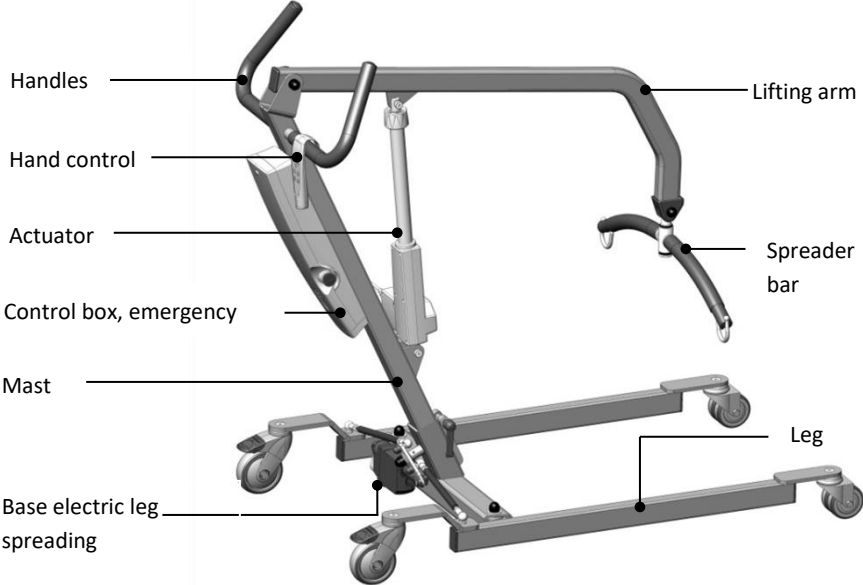


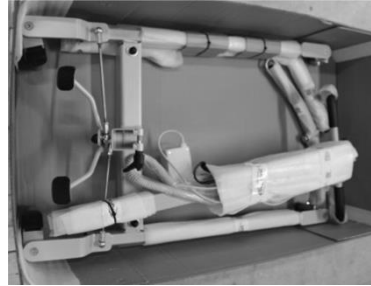
Fig. 1.4b

## 1.5 Unpacking

Check that all the parts are present and undamaged. Any suspicion of damage or shortage should be reported to your dealer or Winncare Nordic. We recommend that the box packaging is kept if the mobile hoist is to be used on other sites or for return shipment in case of repair or annual check.

### Content of the box:

1. Base Unit
2. Mast and lifting arm with spreader bar
3. Actuator
4. Hand control
5. Control box
6. User instruction



## 1.6 Assembly instruction

### Following step by step the assembling guidance:

1. Place the base unit on the floor and brake the wheels. (Fig. 1.6A)
2. Assemble the mast/lifting arm to the base and tighten the hand screw. (Fig 1.6B + 1.6C)



Fig. 1.6A



Fig. 1.6B



Fig. 1.6C

3. Assemble the actuators piston rod to the lifting arm. Use a 5mm Allen key and a 13mm spanner to tighten the bolt /nut. (Fig. 1.6D+1.6E). Put the cap on the nut.



Fig. 1.6E



Fig. 1.6D

4. The hand control, lifting arm and electrical leg spreader are connected to the control box. (Fig 1.6F)  
(See section 2.1 – functions / connection).



Fig. 1.6F



## 1.7 Spreader bar and lifting slings

The mobile hoist is equipped with a spreader bar, which is designed for use with Winncare Nordic lifting slings. Winncare Nordic lifting slings have 4-6 lifting straps and are designed for lifting hooks larger than  $\varnothing 8\text{mm}$ .

If using non-authorized slings, Winncare Nordic will have no responsibility for faults or accidents.

Winncare Nordic can assist in choosing the correct sling and also offers training sessions in transfer techniques and the correct use of slings.

### Attach the sling to the spreader bar



Winncare Nordic excludes any liability if the sling is not correctly attached to the hook on the spreader bar.

It is always the responsibility of the helper to ensure that the correct sling is used and that it is suitable for the need/purpose.

- 1) Attach the sling strap to the open hook.

**Note:** On some models, there are straps of different colours. It is important here that the same colour is used on the hooks on each side in order to avoid an uneven lift.

- 2) Pulling the strap down causes the lock to close with a "click".

**Note:** The lifting hook is designed in such a way that the user's weight automatically keeps the hook locked.

To unhook the strap, pulling the strap up causes the hook to open.

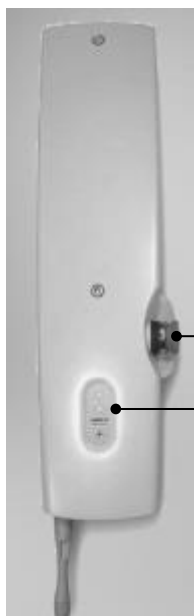
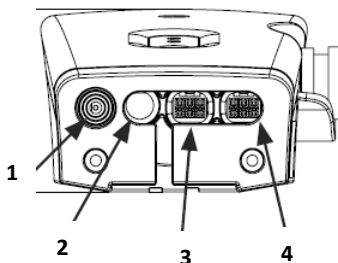


Care should be taken to avoid the user's fingers becoming caught in the hook.

## 2 FUNCTIONS

### 2.1 Pictograms and functions – Control-box

- (1) Connecting plug – power supply
- (2) Connecting plug – hand control
- (3) Connecting plug - electrical leg spreading
- (4) Connecting plug - lifting actuator



(5) Emergency stop – See section 2.3

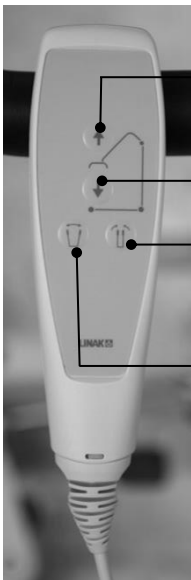
(6) Charge – indicates charging on the battery (see section 2.4).

## 2.2 Pictograms and functions – Hand control



### Manuel leg spreading

1. **Up** – Press the button continuously and the lift moves upwards. The lift will stop by releasing the button.
2. **Down** – Press the button continuously and the lift moves downwards. The lift will stop by releasing the button.



### Electrical leg spreading

1. **Up** – Press the button continuously and the lift moves upwards. The lift will stop by releasing the button.
2. **Down** – Press the button continuously and the lift moves downwards. The lift will stop by releasing the button.
3. **Leg spreading in** – Press the button continuously and the leg spreading moves together. Stop by releasing the button.
4. **Leg spreading out** – Press the button continuously and the leg spreading will spread outwards. Stop by releasing the button.

## 2.3 Safety functions

### Emergency stop:

This function is only to be used in an emergency e.g. if the mobile hoist does not react or does not stop after pressing a button on the hand control.

If the emergency button has been activated all functions immediately stop. The emergency stop can be released by turning the red button a  $\frac{1}{4}$  turn to the right. (Fig 2.3A)



Fig. 2.3A

### Emergency lowering:

This function is only to be used in an emergency, where it is necessary to safely lower a patient. The emergency lowering is placed on the lifting actuator and is activated by turning the handle in the direction of the arrow, thereby the lifting arm is lowered slowly. (Fig. 2.3B)

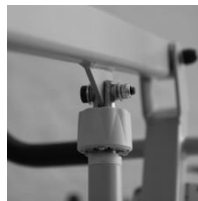


Fig. 2.3B

### Applies for both functions:

If the emergency button/lowering handle has been activated due to an emergency, the mobile hoist must not be used again before a check has been made and any defect repaired.

In any doubt, please contact Winncare Nordic.

## 2.4 Charging

The mobile hoist is equipped with a battery that requires regular charging. Winncare Nordic recommends that the battery is charged when the mobile hoist is not in use or every night. The mobile hoist can be charged from the mains (wall outlet).



1. **Battery indicator** – During charging the indicator will flash yellow and changes to steady yellow light when the battery is fully charged.
2. **Hand control indicator** – Lights green when the handset is activated.
3. **Emergency lowering** – Press to lower the lift if the handset is not responding. The battery must be charged to use this function.

### **Battery alarm:**

If the power of the battery is low, an audible alarm will sound when the hand control is activated.

### **Charge directly from the wall outlet**

- 1) Make sure that the emergency stop is not pressed in.
- 2) Insert the plug into the mains.
- 3) The cable from the charger to the mains must be loose.
- 4) On the control box there is a diode, that flashes when charging the battery, and changes to steady yellow light when the battery is fully charged.

**Note:** The mobile hoist cannot be overcharged.

## **2.5 Transport**

The mobile hoist is most safely transported using the original packing.

Symbols are printed on the packaging to ensure the best information to carrier companies.

## 3 MAINTENANCE

### 3.1 Cleaning

The mobile hoist may be cleaned using a slightly damp cloth with a standard household cleaning agent. Chemicals and other strong/abrasive agents must not be used.

It is recommended that the mobile hoist be cleaned after each use to avoid infection. The mobile hoist can be disinfected with household alcohol.

### 3.2 Storage

The mobile hoist must be stored in a dry environment with relative humidity under 90%.

If the mobile hoist is not to be used over a longer period, it is best to fully charge the unit and activate the emergency button to preserve the battery before putting in storage.

## 4 CHECK AND TROUBLESHOOTING

### 4.1 Annual check

Helios/150 must be inspected at least annually in accordance with EN/ISO 10535, Annex B, which recommends that a qualified person with knowledge to the product carries out a service and weight test.

It is the legal owner of the product who is responsible for ensuring that the service is carried out.

Schedule for the inspection may be requested from Winncare Nordic.

If it is necessary to replace any parts due to wear or damage these must be obtained/purchased from Winncare Nordic.

Scheduled maintenance and replacement of parts must always be carried out by a qualified person.

#### **Warranty**

2 years warranty against manufacturing or material defects. For more information contact Winncare Nordic.

## 4.2 Troubleshooting

### Fault:

The hoist does not react when the hand control buttons UP/DOWN are used.	Possible cause:	Emergency stop is activated.
	Solution:	Release the emergency stop (see section 2.3)
	Possible cause:	Defect hand control.
	Solution:	Try using another hand control. Alternative is to get a new hand control from the dealer and Winncare Nordic.
	Possible cause:	Flat battery.
	Solution:	Charge battery (see section 2.4). If this does not help replace batteries

### Fault:

The lifting arm can travel up or down not both.	Possible cause:	Fault in the control box.
	Solution:	Replace the control box.
The electrical leg spreading can only move in or out not both.	Possible cause:	Defective hand control.
	Solution:	Try using another hand control. Alternative is to get a new hand control from the dealer and Winncare Nordic.

### Fault:

The lifting actuator is noisy or vibrates abnormally	Possible cause:	Lifting actuator is defective.
	Solution:	Replace the lifting actuator.
	Possible cause:	Flat battery.
	Solution:	Charge battery (see section 2.4).

### Fault:

Does not charge	Possible cause:	Charger is not connected to the main supply.
	Solution:	Connect charger.
	Possible cause:	Emergency stop is activated.
	Solution:	Release the emergency stop (see section 2.3)
	Possible cause:	Defective control box.
	Solution:	Try another control box. Order a new from Winncare Nordic or the dealer.
	Possible cause:	Defective battery.
	Solution:	Replace battery.

## 5 TECHNICAL SPECIFICATIONS AND DIMENSIONS

### 5.1 Technical specifications

#### **Lifting properties:**

Load capacity:	150 kg
Number of lift movements:	40 cycles per charge with 80kg / 0,5 m
Duty cycle:	10%, max, 2 min/18 min
Manual emergency lowering:	Yes
Electronic lowering:	Yes

#### **Electrical details:**

Power supply (Input):	100-240 VAC 50/60 Hz, max 0,35 A
Output voltage:	24V $\overline{\text{---}}$
Control box (Output):	250 VA
Battery capacity:	2,9Ah

IP-class:	IPx4
-----------	------

#### **Noise:**

Lwa during lifting/lowering without load is 45dB(A)

Lwa during lifting/lowering at maximum load is 45dB(A)

#### **Material:**

Powder coated steel



## 5.2 Dimensions

1. Highest point
2. Maximum reach point
3. Lowest position

- |   |        |
|---|--------|
| a) Max. reach at 600 mm (reference height):                   | 554mm  |
| b) Max. reach from base:                                      | 554mm  |
| c) Reach from base with legs spread to 700 mm:                | 319mm  |
| d) Min. Dist. from wall to CSP* at max. height (legs spread): | 542mm  |
| e) Min. Dist. from wall to CSP* at max. reach (legs spread):  | 184mm  |
| f) Min. Dist. from wall to CSP* at min. height (legs spread): | 290mm  |
| k) Max. height of CSP*:                                       | 1808mm |
| l) Min. Height of CSP*:                                       | 615mm  |
| m) Hoisting range:  | 1193mm |
| p) Max. internal width:                                       | 844mm  |
| q) Internal width at max. reach:                              | 813mm  |
| r) Min. internal width:                                       | 530mm  |

\* Central suspensions point

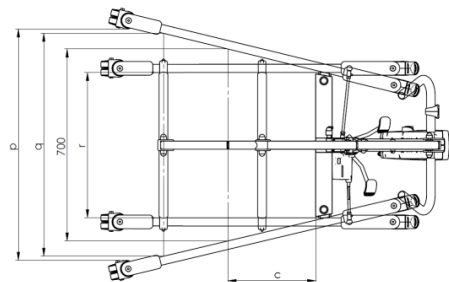
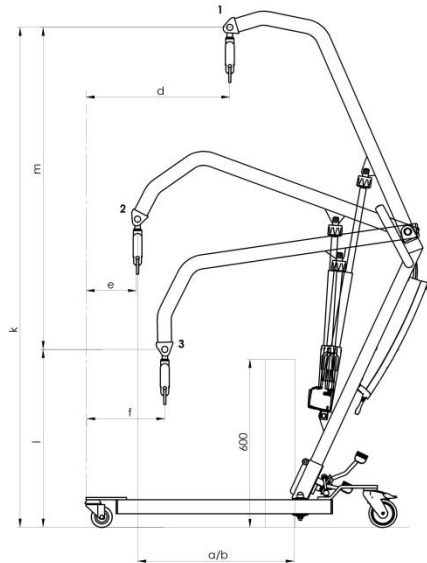
Turning diameter: 1300mm

### **Weight:**

Weight in total: 33,5 kg

Mast incl. battery: 18,2 kg

Base/legs: 15,3 kg



## 6 ENVIROMENT AND QUALITY

**Helios/150** has an expected lifetime of a minimum of 10 years under the assumption that all recommended service checks have been carried out and that the normal maintenance and care instructions have been followed.

### 6.1 Disposal

Disposal of this mobile hoist can be made through Winncare Nordic. After a useful lifetime Winncare Nordic will receive the mobile hoist back and split the individual fractions in an environmentally friendly way either through reuse or recycling.

Fractions that contain aluminium, lead acid batteries, electrical component, plastic, steel may damage the environment if not handled in an environmentally responsible way.

### 6.2 Quality

Winncare Nordic is certified according to the quality standard ISO 9001 and ISO 13485.

These certifications mean that the products and the company complies with the international standards for quality management and standards for traceability of medical products.

**Helios/150** is classified as a Medical device class 1 product.

### 6.3 Symbols and abbreviations



Direct current



Double insulated



The patient is not separated from the ground and the chassis



Refer to user instruction



The product should be reused where possible

**SWL**

Safe working load (user + sling)



The product is CE-marked.

---

Manufacturer:  
Winncare Nordic ApS  
Taarnborgvej 12 C  
4220 Korsoer  
Denmark

Phone: + 45 70 27 37 20  
Fax: + 45 70 27 37 19  
Email: [info@Winncare.dk](mailto:info@Winncare.dk)  
[www.Winncare.dk](http://www.Winncare.dk)

93/42/EØF CLASS I  
EN/ISO 10535  
EN 60601-1-2



UM-910-00779UK