

MARINA

User's Manual



PRODUCT IDENTIFICATION

Manufacturer's Information

Name: Winncare Spain
Address: Ctra. Masía del Juez, 37b
46909 Torrent (Valencia)
Telephone: 961 565 521
Fax: 961 560 383
e-mail: sat@winncare.es

MODEL IDENTIFICATION

MARINA model amphibious wheelchair

FUNCTION

Technical aid to facilitate the access to beaches and the bathing for persons with disabilities or reduced mobility.

DESCRIPTION OF THE PRODUCT

MARINA is an amphibious wheelchair that can be used both in and out of the water. . It is specially designed for helping disabled persons to access the beach as well as to enter the water.

There are two important characteristics which set it apart from a conventional wheelchair: the floats and the broad wheels. The floats are required for allowing suitable flotation in the water, and the broad wheels are for ensuring that the chair does not sink into the sand.

New use of front wheels and tow bar:

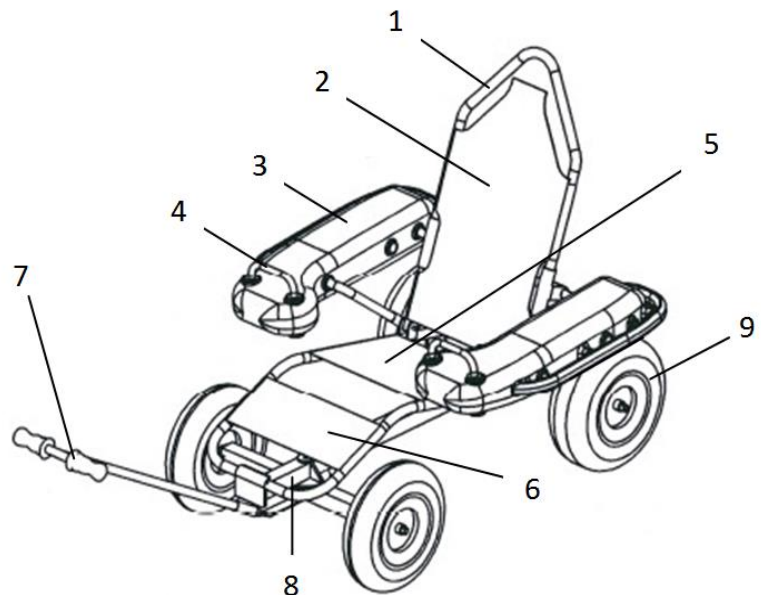


TECHNICAL CHARACTERISTICS OF THE *MARINA*

Dimensions ((width x height x length)	123 x 120 x 140 cm (footrest in lowest position). 123 x 120 x 260 cm (footrest in highest position).
Weight of chair	31,7 Kg.
Maximum user weight	130 Kg.
Structural material	Aluminum and stainless steel
Floats	Lateral Polyethylene filled with expanded polyurethane. Back Polyethylene.
Support and seat material	Polyester fiber with PVC covering.
Front wheel Ø400	Inflated pressure 30 PSI (lbf/pulg ²) or 2 Kg/cm ²
Dimensions and weight of package	140 x 76 x 56 cm 38 kg

MAIN PARTS OF THE *MARINA* CHAIR

- 1.- Aide handle
- 2.- Backrest
- 3.- Lateral float
- 4.- User's handle
- 5.- Seat
- 6.- Leg rest
- 7.- Tow bar
- 8.- Structure
- 9.- Wheels



ASSEMBLING AND DISASSEMBLING THE **MARINA**

1. Remove the tow bar.



2. Remove the lateral floats.
Free the pins which allow the floats to be tilted and removed.



3. Remove the joint axle from the backrest.



4. Tilt down the backrest.



5. Remove the wheels.



To assemble the marina wheelchair reproduce the same pattern in reverse.

WARRANTY MARINA WHEELCHAIR

Our Marina wheelchair has a 2 years warranty from the purchase date, in normal usage conditions, respecting the recommendations on use and not changing or manipulating any of their components.

¿What can you do in case of a defect or malfunctioning of the Marina wheelchair?

Please contact with the distributor where you purchased it, presenting this paper with the invoice or purchase receipt, so that it may be inspected and the manufacturer can decide whether to repair it or replace it.

USAGE INSTRUCTIONS

Before using verify that the unit is functioning correctly by checking the following:

- *The **back support of the chair** is correctly blocked with the pin all the way in.*
- *The **fastening clips** are tight and correctly fasten the **floats**.*
- *The **fastening clips** are tight and correctly fasten the **wheels**.*

Operating the **MARINA**

- *Transfer*

Front or side transfer is possible.

For users who can control their legs, the transfers may be carried out from the front with the help of an aide.



For users with little or no control of their legs the transfers are carried out from the side. For side transfer, raise one of the floats by first freeing the pin and holding on to the seat. Catch the seat structure to make the transfer. Once the user has been transferred, the float should be returned to its original position. Make sure that the float's front bar clip is blocking the float.

- *Maneuverability or Manipulation*

The **MARINA** amphibious chair may be used on any type of surface. For soft surfaces and for entering and leaving the water, pull the chair using the front pull bar; it may help to push using the aide handle on the backrest. On hard surfaces it is convenient to push from the back of the chair.

- *Floating and Stability in the Water*

The **MARINA** amphibious chair has a flotation system consisting of several floats. In calm waters these floats offer stability and suitable flotation.. Maximum stability is achieved when the user reclines against the backrest

*The aide may help to raise and lower the **MARINA** chair in the water by holding the seat down in the water.*

- Maintenance and Necessary Periodic Checks

- *Washing*

Wash the seat thoroughly after each day on the beach with fresh water.

SAFETY RECOMMENDATIONS AND WARNINGS

Tides. The Marina amphibious chair should not be used with waves nor with strong currents (never use the chair when there is a red flag; when there is a yellow flag use it taking special care).

Use of Lifejackets. It is recommended that the user always wear a lifejacket when in the water.

As a safety measure it is recommended that at least one aide be holding the chair while in the water.

Entering and Leaving the Water. For greater stability it is recommended to enter and leave the water either facing or facing away from the water.



If you would like to make suggestions to improve future versions of the **MARINA** chair, please contact the manufacturer:

Name: Winncare Spain
Address: Ctra. Masía del Juez, 37b
E-46909 Torrent (Valencia)
Phone : 961 565 521
Fax: 961 560 383
e-mail: sat@winncare.es

